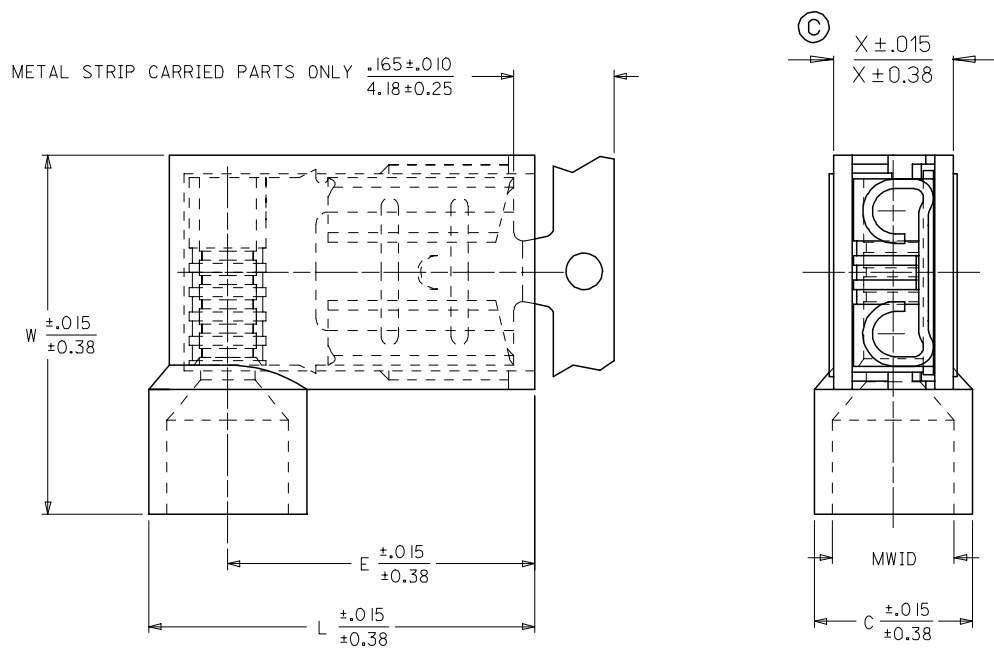


PART NO.	CARRIER STYLE	AWG	COLOR	MWID	TAB SIZE	E	C	L	W	X
190070064	LOOSE	22-18	RED	.176/4.47	.250 X .032	.512/13.00	.236/5.99	.630/16.00	.585/14.86	.197/5.00
190070065	TAPE	22-18	RED	.176/4.47	.250 X .032	.512/13.00	.236/5.99	.630/16.00	.585/14.86	.197/5.00
190070066	STRIP	22-18	RED	.176/4.47	.250 X .032	.512/13.00	.236/5.99	.630/16.00	.585/14.86	.197/5.00
190070073	LOOSE	16-14	BLUE	.200/5.08	.250 X .032	.500/12.70	.260/6.60	.630/16.00	.585/14.86	.197/5.00
190070074	TAPE	16-14	BLUE	.200/5.08	.250 X .032	.500/12.70	.260/6.60	.630/16.00	.585/14.86	.197/5.00
190070075	STRIP	16-14	BLUE	.200/5.08	.250 X .032	.500/12.70	.260/6.60	.630/16.00	.585/14.86	.197/5.00
190070082	LOOSE	12-10	YELLOW	.260/6.60	.250 X .032	.511/12.98	.311/7.90	.667/16.93	.677/17.20	.246/6.25
190070083	TAPE	12-10	YELLOW	.260/6.60	.250 X .032	.511/12.98	.311/7.90	.667/16.93	.677/17.20	.246/6.25
180070084	STRIP	12-10	YELLOW	.260/6.60	.250 X .032	.511/12.98	.311/7.90	.667/16.93	.677/17.20	.246/6.25



SALES DRAWING

NOTES:
 1. MWID = MAX. WIRE INSULATION DIA.
 2. ALL DIMENSIONS = INCHES/MM
 2. MATERIAL:
 HOUSING: NYLON 6/6 94V-0 RATING
 TERMINAL: TIN PLATED BRASS

X WAS 246/6.25 EC NO: ETC2006-0048 DRWN: JLOMASTRO 2005/09/26 CHKD: PAWLICKI 2005/09/28 APPR: RDEROSS 2005/09/28	QUALITY SYMBOLS	GENERAL TOLERANCES (UNLESS SPECIFIED)	DIMENSION STYLE	SCALE	DESIGN UNITS	THIRD ANGLE PROJECTION															
	$\nabla=0$ $\nabla=0$	<table border="1"> <thead> <tr> <th></th> <th>mm</th> <th>INCH</th> </tr> </thead> <tbody> <tr> <td>4 PLACES</td> <td>± ---</td> <td>± ---</td> </tr> <tr> <td>3 PLACES</td> <td>± ---</td> <td>± ---</td> </tr> <tr> <td>2 PLACES</td> <td>± ---</td> <td>± ---</td> </tr> <tr> <td>1 PLACE</td> <td>± ---</td> <td>± ---</td> </tr> </tbody> </table>		mm	INCH	4 PLACES	± ---	± ---	3 PLACES	± ---	± ---	2 PLACES	± ---	± ---	1 PLACE	± ---	± ---	IN/MM	4:1	INCH	
		mm	INCH																		
	4 PLACES	± ---	± ---																		
3 PLACES	± ---	± ---																			
2 PLACES	± ---	± ---																			
1 PLACE	± ---	± ---																			
DESCRIPTION	ANGULAR ±1/2°	<table border="1"> <tr> <td>DRAWN BY</td> <td>DATE</td> </tr> <tr> <td>HBEITZEL</td> <td>01/06/05</td> </tr> <tr> <td>CHECKED BY</td> <td>DATE</td> </tr> <tr> <td>RDEROSS</td> <td>01/06/05</td> </tr> <tr> <td>APPROVED BY</td> <td>DATE</td> </tr> <tr> <td>RDEROSS</td> <td>01/06/05</td> </tr> </table>	DRAWN BY	DATE	HBEITZEL	01/06/05	CHECKED BY	DATE	RDEROSS	01/06/05	APPROVED BY	DATE	RDEROSS	01/06/05	TITLE		FLAG FIQD INSULKRIMP 94V-0 MATERIAL 0250X .032 TAB				
DRAWN BY	DATE																				
HBEITZEL	01/06/05																				
CHECKED BY	DATE																				
RDEROSS	01/06/05																				
APPROVED BY	DATE																				
RDEROSS	01/06/05																				
REV		DRAFT WHERE APPLICABLE MUST REMAIN WITHIN DIMENSIONS	MATERIAL NO.	DOCUMENT NO.	SHEET NO.																
			SEE CHART	SD-19007-002	1 OF 1																
			SIZE B	THIS DRAWING CONTAINS INFORMATION THAT IS PROPRIETARY TO MOLEX INCORPORATED AND SHOULD NOT BE USED WITHOUT WRITTEN PERMISSION																	